

匯統國際股份有限公司
Huey Tung International Co., Ltd.

產品規格書 Specification

[Model : HT-2451 / 2017.10.31 version]



Cara Audio Corporation

No.69, Lane 762, Dingzhong Road, Sanmin District, Kaohsiung City, Taiwan, ROC.


Tel: 886-7-310 5786 / Fax: 886-7-310 0783

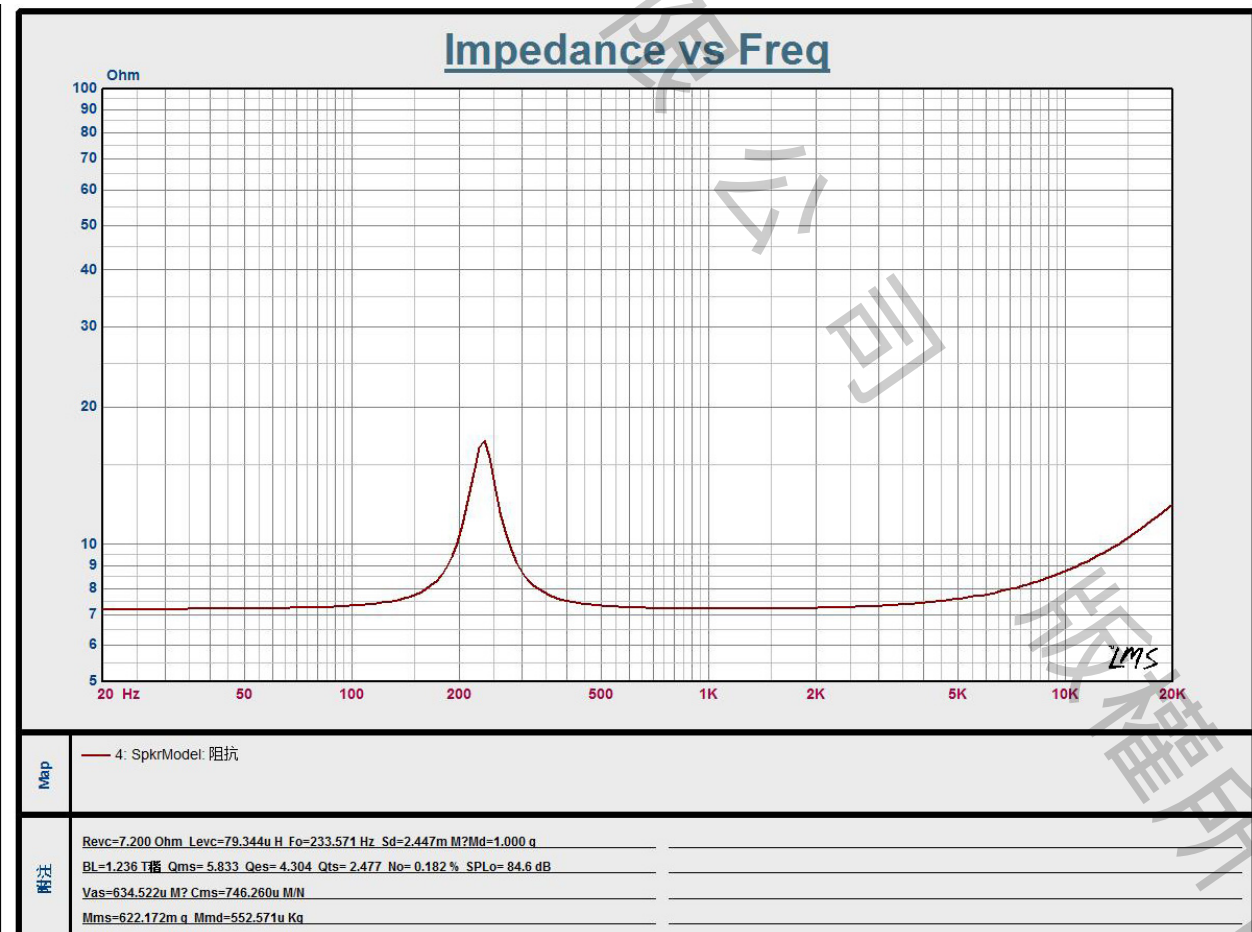
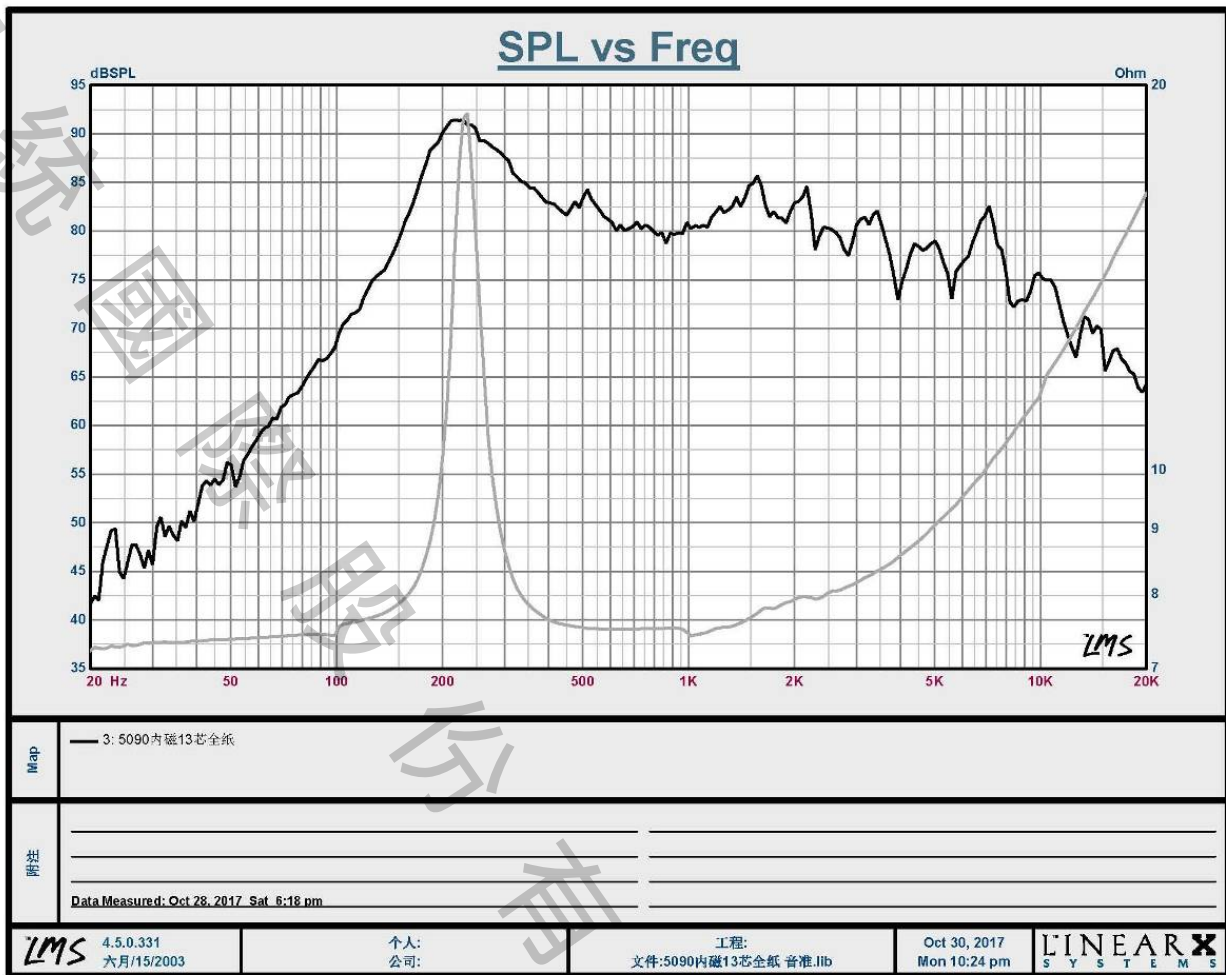
E-mail: carawang@hueytung.com.tw / <http://www.hueytung.com.tw>

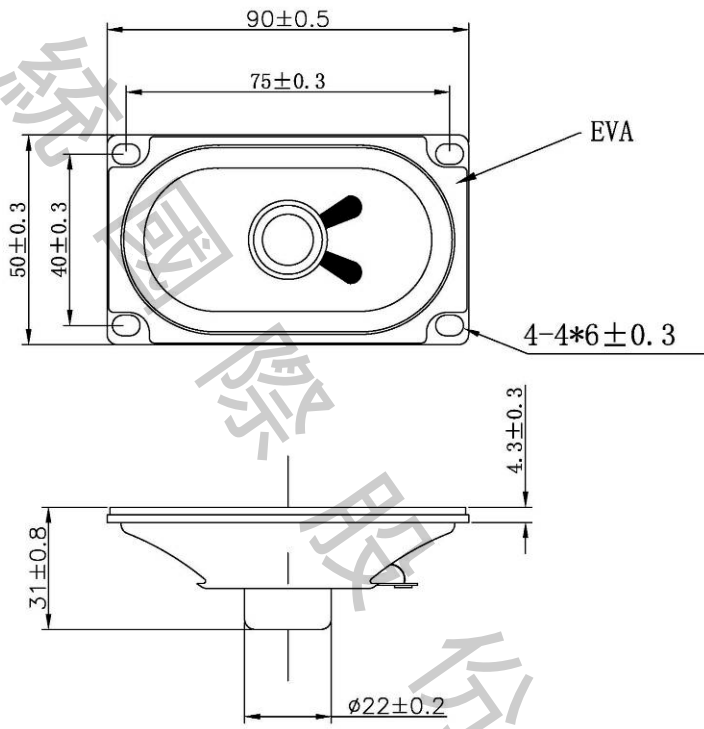
揚聲器製品規格書

SPEAKER SPECIFICATION

型號 Model Number: HT-2451

項目 Items		規格 Specification		
1	公称阻抗 Nominal Impedance	8Ω±15%		
2	最低共振周波数 Lowest Resonance Frequency	240Hz±20%Hz Without a baffle		
3	实效周波数带域 Effective Frequency Range	FO~17K Hz -10dB		
4	出力音压 Output Sound Pressure Level	82dB±3dB at 1W/1M (200,300,400,500)Hz AVE		
5	入力 Input	定格入力 Rated input	最大入力 Maximum input	
		3 W	5 W	
6	磁束密度 Flux Density	-----±10% GAUSS		
7	异常音试验电压 Buzz & Rattle Test	Must be normal at sine wave 4. 89V, 200Hz-3000Hz		
8	动作试验电压 Operation Test	Must be normal Sine wave		
9	极性 Polarity	When a positive volts d.c. is supplied from the speaker terminal marked (+)and a Negative volts to the other terminal the diaphragm must move toward the front		
10	磁石尺寸/重量 Magnet Dimension/Weigh	Magnet: Nd-Fe-B Φ12.5	G	
		Sub Magnet:		
11	连续负荷试验 Life Test	Pink Noise 5W 48hours		
12	耐热试验 Heat Resistance	55℃±2℃ 20%-25%RH 16Hours and then room temperature 1 hours		
13	耐湿试验 Humidity Resistance	℃±2℃ 90%-95%RH 48Hours and then room temperature 1 hours		
14	耐寒试验 Cold Resistance	-20 ℃±2℃ 8Hours		
15	落下试验 Drop Test	1M 75°±2°		
16	绝缘耐压试验 Insulation Resistance	Or more 1MΩ 以上		
17	周波数特性 Frequency Response Curve	参照附图 On Other Drawing		
18	失真率 Distortion	5% Less than		
19	各部 材质	Cone Paper	Paper cone	
		Voice Coil	Φ13.28 PL 2L	
		Cap	/	
20	总重量 Total Weight			
	Size: 50*90mm	Approve:	Check:	Design:
	試作發行: 2017.10.31	Arthur	Chen	Lin





Tolerance:0.5

Unit: mm